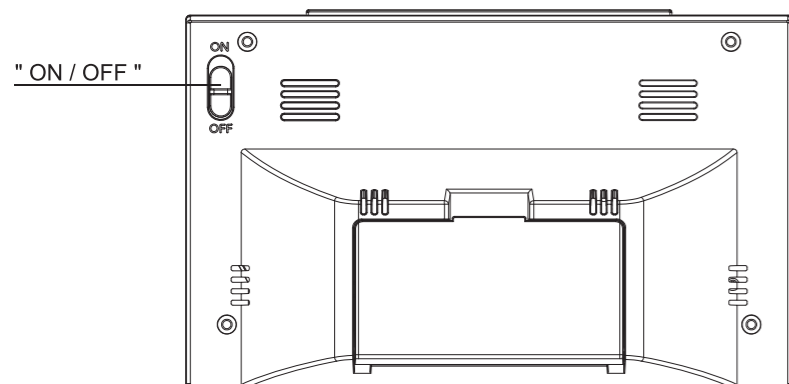
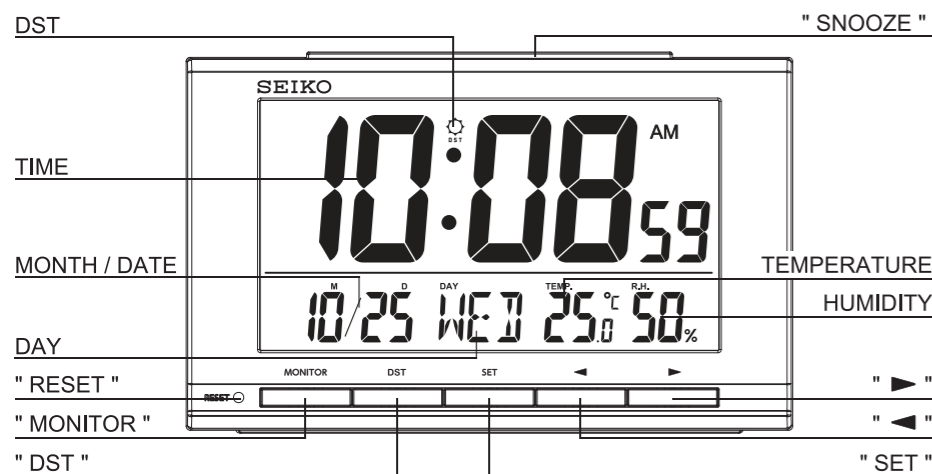


SEIKO

- INSTRUCTION MANUAL
- MANUAL DE INSTRUCCIONES
- MODE D'EMPLOI
- BEDIENUNGSANLEITUNG
- 使用说明书
- 使用説明書

Thank you for purchase of our SEIKO clock.
Please read this instruction manual carefully before use.



[ENGLISH] INSTRUCTION MANUAL

CAUTION

<Remarks on batteries>

Please be sure to observe the following correct battery usage.
Misusing batteries may cause leakage or a battery explosion, which may result in a malfunction of the clock or personal injury.

1. Insert batteries into the battery holders, locating the plus (+) and minus (-) ends correctly.
2. If you replace batteries, replace all of them at one time with new one as specified in this manual.
3. Batteries used in this clock are not rechargeable. Never attempt to recharge the batteries.
4. Do not attempt to solder anything directly on to the batteries.
5. Do not expose batteries to direct sunlight, heat, or high humidity.
6. When the clock stops, or it is no longer used, remove the batteries.
7. As the initial batteries are included at the factory, the actual life once in your possession may be shorter than the specified period.

SPECIFICATIONS

Operational temperature: between -10 °C ~ +50 °C at 0.1 °C resolution.

Operational humidity: between 20% ~ 90% at 1% resolution. (At normal temperature range between 0 °C and 50 °C)

Time setting: Loss/gain (monthly rate) is less than 30 seconds. (At normal temperature range between 5 °C and 35 °C.)

Alarm: The electronic beep sounds at a designated time for approximately 5 minutes and automatically stops.

An approximate every 5-minute snooze function is equipped. (Snooze function can be used repeatedly)

Calendar: No need of adjustment until the year of 2099

Display: Time (hour, minute, second) in 12-hour format or 24-hour format, Calendar (month, date, day)

Battery: AA battery, 2 pieces

Battery life for clock: Approximately 1 year

TEMPERATURE AND HUMIDITY DISPLAY

Since the sensor is inside the clock, the Temperature and Humidity Display may respond to changes in temperature and humidity around the clock with a slight delay.

Display when the temperature or humidity rises above or falls below the threshold value.

- Temperature - When the temperature is below -10°C : "Lo"
When the temperature is above +50° C : "HI"
- Humidity - When the humidity is below 20% : "Lo"
When the humidity is above 90% : "HI"

When the temperature exceeds the range of 0°C to 50°C, the humidity will be displayed as "-".

HOW TO USE THE CLOCK

- Remove the protective film slowly on the display before using the clock.
- Slide and open the battery hatch on the rear of the clock and insert 2 "AA" batteries follow the plus (+) and minus (-) polarity diagram correctly and press "RESET" button.
- Press "RESET" button to initiate the unit otherwise the unit may not work properly.

TO SET CALENDAR AND TIME

- ① In the normal time display, press and hold the "TIME SET" button for 2 seconds or longer, then start calendar and time setting.
- ② Each time the "TIME SET" is pressed, the flashing digits on the display will change in the following order.
[Year Setting Display] → [Month/Date-Date/Month Format Setting Display] → [Month-Date Setting Display] → [12/24 Hour Setting Display] → [Time Setting Display] → [Celsius/ Fahrenheit Setting Display]
- ③ Press the "◀"/"▶" button to set the date, time and 12/24 hour setting.
 - Press and hold the "◀"/"▶" button to increase the value quickly.
 - The display will automatically return to the normal time display if the "◀"/"▶" button remains untouched for approximately 5 seconds.



[Normal Time Display]
Use the clock in this mode for normal use.



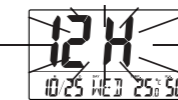
[Year Setting Display]
Press the "◀"/"▶" button to set the year.
The year can be selected between 2022 and 2099.



[Month/Date-Date/Month Format Setting Display]
Press the "◀"/"▶" button to set the Month/Date-Date/Month Format.



[Month-Date Setting Display]
Press the "◀"/"▶" button to set the month and date.



[12/24 Hour Setting Display]
Press the "◀"/"▶" button to set 12 Hour system or 24 Hour system.
※When setting the time, make sure the time is correctly set for the morning or afternoon.



[Time Setting Display]
Press the "◀"/"▶" button to set the hour and minutes.
The seconds are reset to 0 at the moment the "◀"/"▶" is pressed.



[°C / °F Setting Display]
Press the "◀"/"▶" button to toggle between °C / °F format.

④ Press the "TIME SET" to return to the normal time display after adjusting the settings.

TO SET ALARM

- Press any of the "◀"/"▶" button once and the alarm digits will flash.
 - Press again the "◀"/"▶" button to set the alarm minute.
 - After setting, just leave the buttons unattended and the alarm digits will stop flashing in about 5 seconds.
 - To activate the alarm function, push the alarm "ON/OFF" switch to "ON" position. Once the current time reaches alarm time, the alarm sound will activate.
 - To activate the snooze, press the "SNOOZE" button. The alarm will stop and it will resume after 5 minutes.
 - To stop the alarm function completely, slide the alarm "ON/OFF" switch to "OFF" position.
- Note : Press and hold "◀"/"▶" button to respectively increase or decrease the value quickly.

TO USE LIGHT FUNCTION

- You may check the time anytime in the dark by simply press the "SNOOZE I LIGHT" button. The display will light up for 5 seconds. You can read the time easily and clearly.
- NOTE : Frequent use of this feature will affect battery life.

TO USE DAYLIGHT SAVING TIME (DST) FUNCTION

- To toggle the time to DST, press and hold the "DST" button for 2 seconds.
- The "DST" icon will be shown and the time will be advanced by one hour automatically.
- Showing "DST" icon and press and hold the "DST" button for 2 seconds.
- The "DST" icon will disappear and the time will be moved back by one hour automatically.

TO USE MONITOR BUTTON

You may hear the alarm sound during pressing the "MONITOR" button.